

X	Y	Shaft extension
2 - 17	48	0
2 - 37	68	20
2 - 67	98	50
2 - 87	118	70

STATE WHEN ORDERING

Surface treatment

- Silver anodized
- Special anodized
- RAL
- Special powder coating
-

Cover end plates

- BK
- SI

Options see layers:

- Standard cover
- Full length cover, CL = mm
- S = mm

If S is set to "0", no cutouts will be made.

- ⌀1 Hinges
- ⌀2 Operator drive shaft
- 1 Cable inlet
- 2 Reinforcements required in door leaf and at fixing holes

	A
Standard (Telescopic L=230)	0-100
Extension (Telescopic L=345)	100-215
Extension (2x Telescopic L=230+Joint part)	215-305

Customer:

Ref:

Door id:

Date:

Project No:

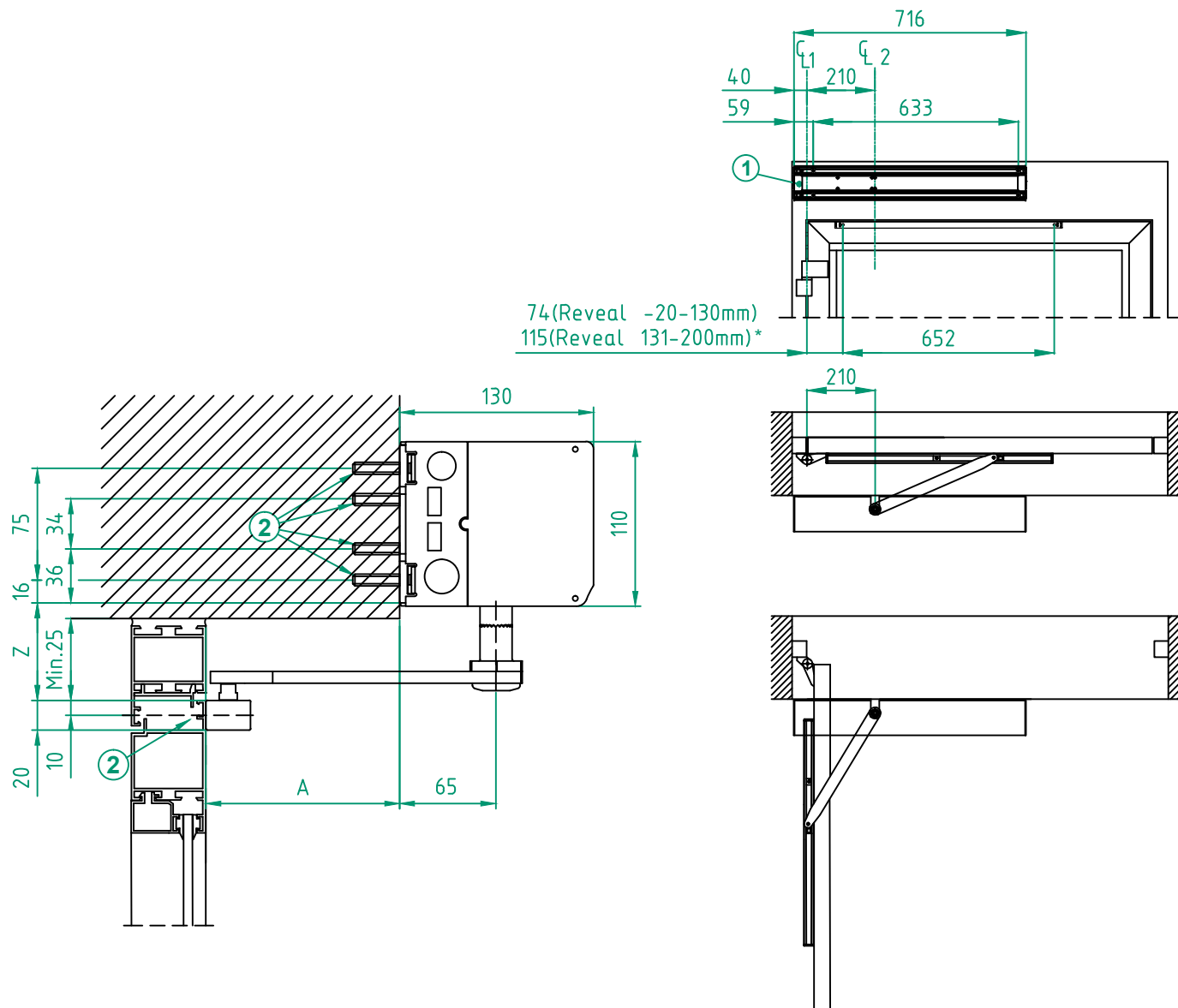
Sign:

ASSA ABLOY SW100-1
 Arm system PUSH
 DIN Left
 Swing door operator

ASSA ABLOY

13.0

1005055-en



Z	Shaft extension
48	0
68	20
98	50
118	70

STATE WHEN ORDERING

Surface treatment

- Silver anodized
- Special anodized
- RAL
- Special powder coating
-

Cover end plates

- BK
- SI

Options see layers:

- Standard cover
- Full length cover, CL = mm
 R = mm

If R is set to "0", no cutouts will be made.

- CL1 Hinges
- CL2 Operator drive shaft
- A Reveal A=-20 - 130 mm
 Reveal A=131- 200 mm
 Min. door width = 750 mm

- 1 Cable inlet
- 2 Reinforcements required in door leaf and at fixing holes

* Will not open more than 90 degrees

Customer: _____

Door id: _____

Project No: _____

Ref: _____

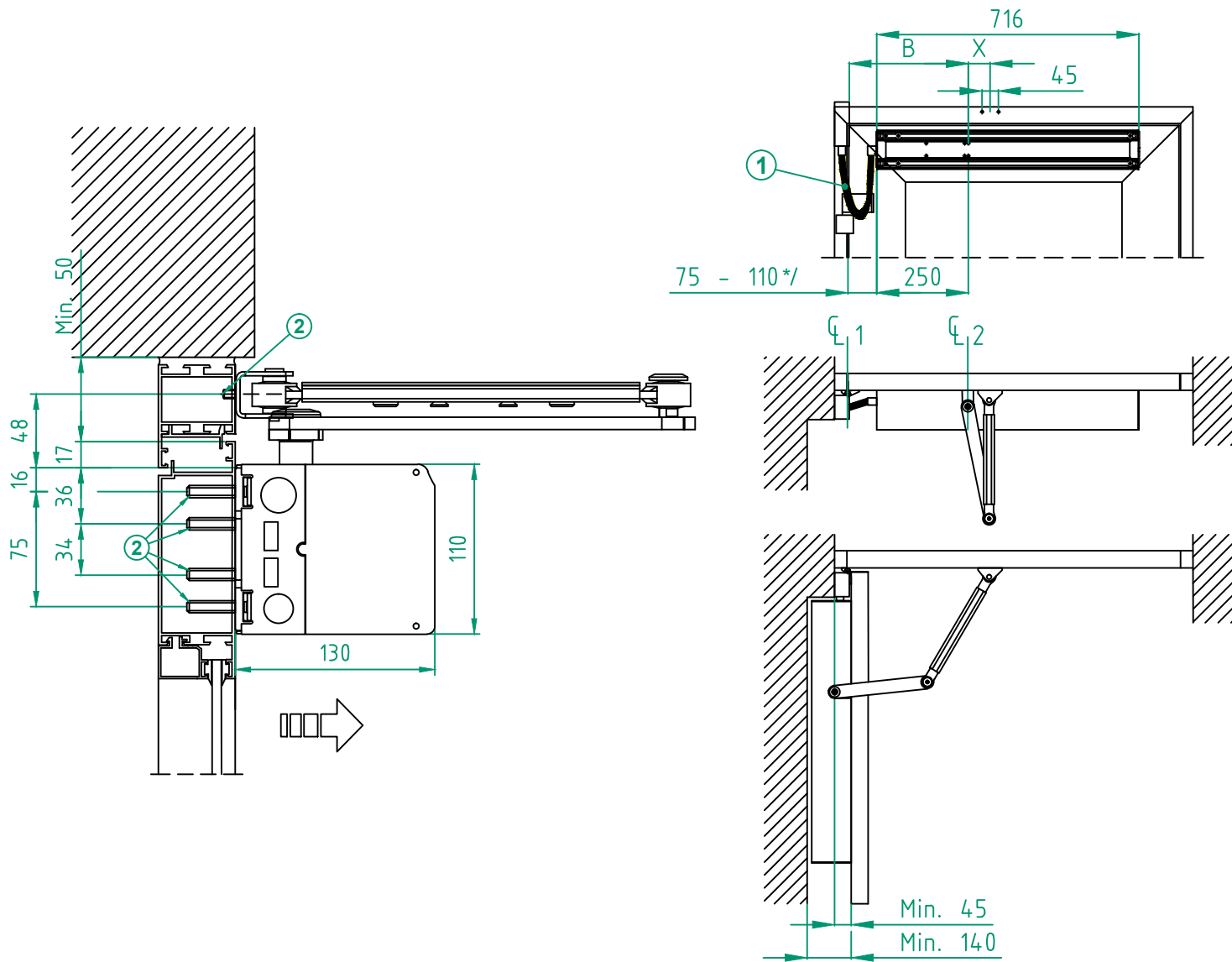
Date: _____

Sign: _____

ASSA ABLOY SW100-1
 Arm system PULL
 DIN Left
 Swing door operator

ASSA ABLOY

13.0 1005055-en



B	X
325	60
360	70

STATE WHEN ORDERING

Surface treatment

- Silver anodized
- Special anodized
- RAL
- Special powder coating
-

Cover end plates

- BK
- SI

- C1 Hinges
- C2 Operator drive shaft
- 1 Door mouting kit 100132
- 2 Reinforcements required in door leaf and at fixing holes
- 3 Arm system 1007134BK
- */ Depending on door width and wall thickness.
Min. door width 800mm

Customer:

Ref:

Door id:

Date:

Project No:

Sign:

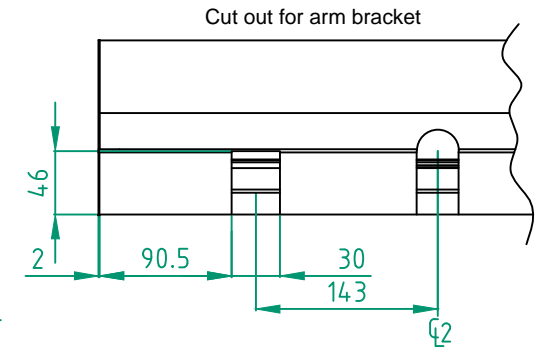
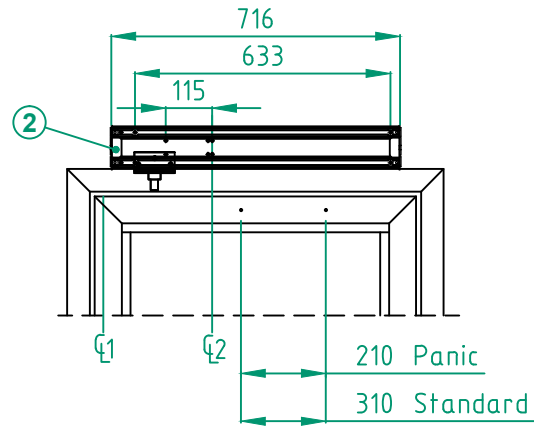
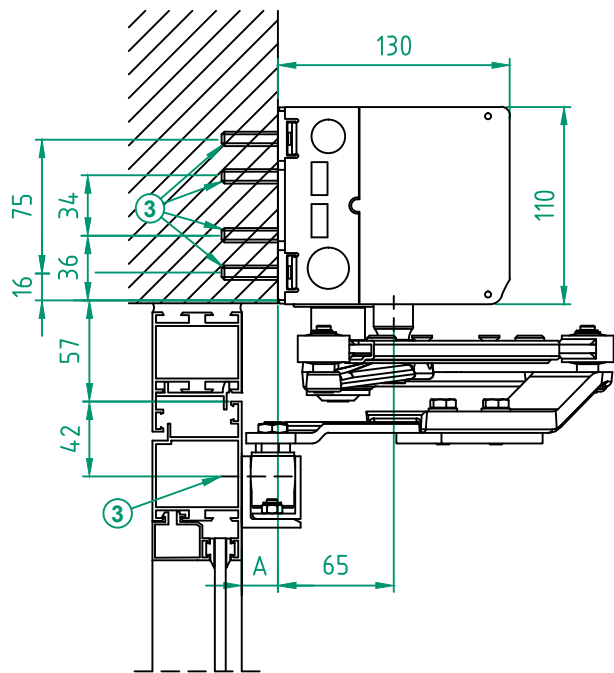
ASSA ABLOY SW100 mounted
 Arm system PUSH-335

Swing door operator

ASSA ABLOY

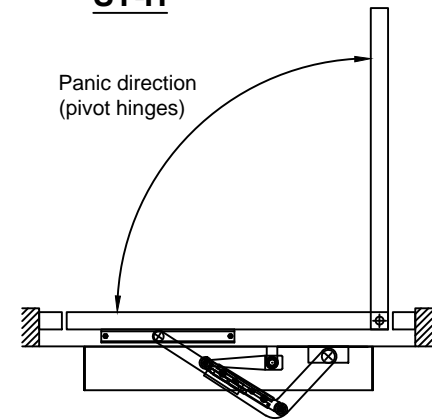
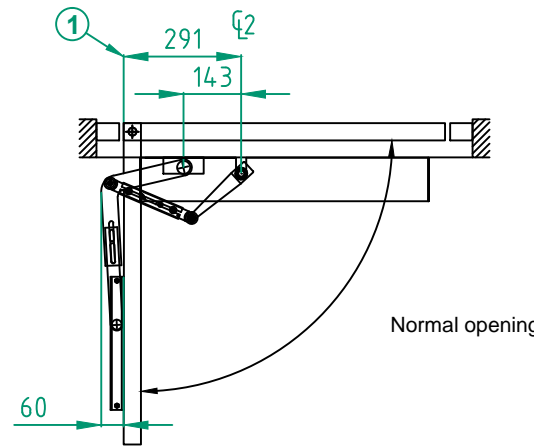
13.0

1005055-en



ST-V

ST-H



STATE WHEN ORDERING

Surface treatment

- Silver anodized
- Special anodized
- RAL
- Special powder coating
-

Cover end plates

- BK
- SI

- ☉1 Pivot or butt hinges
- ☉2 Operator drive shaft
- A Standard max. reveal 100 mm
- 1 Outside open door
- 2 Cable inlet
- 3 Reinforcements required in door leaf and at fixing holes

Customer: _____

Door id: _____

Project No: _____

Ref: _____

Date: _____

Sign: _____

ASSA ABLOY SW100
Slide track arm system
ST-V/ST-H
Swing door operator

ASSA ABLOY

13.0

1005055-en