

STATE WHEN ORDERING

COW = ..... mm  
 CL = ..... mm  
 SBL = ..... mm  
 LAP = ..... mm  
 G = ..... mm  
 DW = ..... mm  
 Door weight = ..... kg

Surface treatment

Silver anodized  
 Special anodized .....  
 RAL .....  
 Special powder coating .....

	Alt.1	Alt.2	
Overlap (min. 20mm)	LAP	LAP	..... x2 = .....
Finger protection (min. 25mm)	E	E	..... x2 = .....
Finger protection (min. 25mm)	-	F	..... x2 = .....
Jamb width (min. 30mm)	J	J	..... x2 = .....
Leading edge width	-	P	..... x2 = .....
Sum of above			Sum = .....

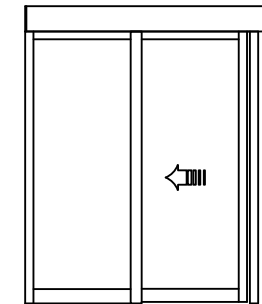
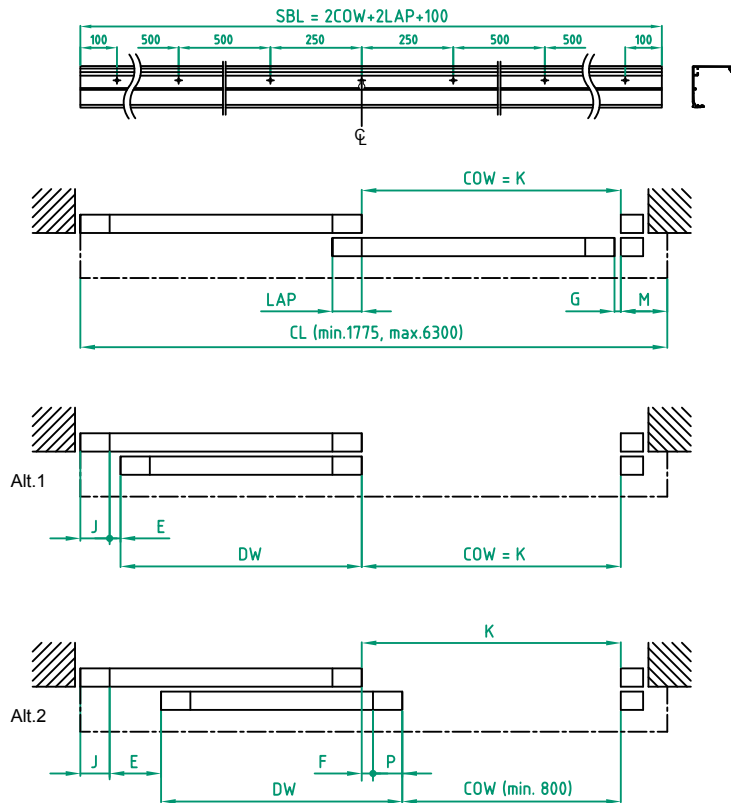
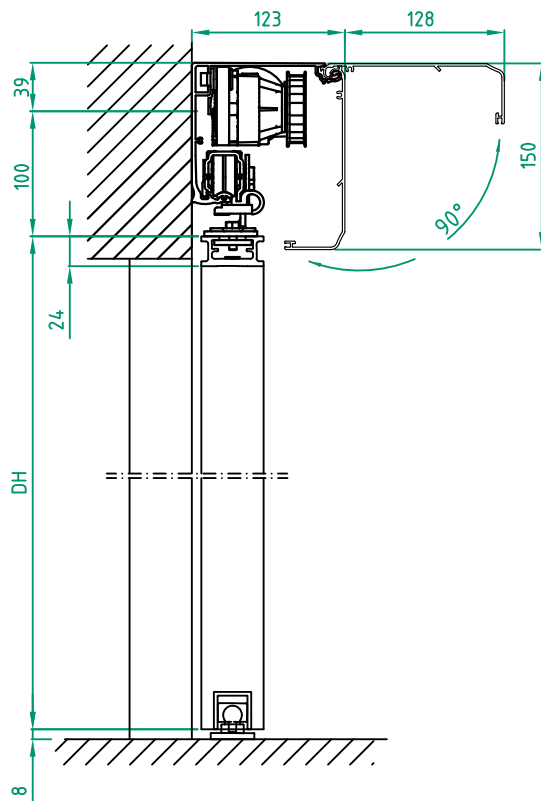
Alt.1 COW = K	K = .....	(K + 2LAP - G) / 2 = DW	DW = .....
Alt.2 COW + 2P + 2F = K	K = .....		DW = .....
Cover length CL	(CL ..... - Sum ..... ) / 2 = .....		= COW max.
Door travel COW	(COW ..... x2) + Sum ..... = .....		= CL min.

Customer: \_\_\_\_\_  
 Door id: \_\_\_\_\_  
 Project No: \_\_\_\_\_

Ref: \_\_\_\_\_  
 Date: \_\_\_\_\_  
 Sign: \_\_\_\_\_

Sliding door operator  
 ASSA ABLOY SL500-2  
 Art. No. 1008568

**ASSA ABLOY**  
 5.0 1010709-EI



STATE WHEN ORDERING

COW = ..... mm  
 CL = ..... mm  
 SBL = ..... mm  
 LAP = ..... mm  
 G = ..... mm  
 DW = ..... mm  
 Door weight = ..... kg

Surface treatment

Silver anodized  
 Special anodized .....  
 RAL .....  
 Special powder coating .....

	Alt. 1	Alt. 2	
Overlap (min. 20mm)	LAP	LAP	.....
Finger protection (min. 25mm)	E	E	.....
Finger protection (min. 25mm)	-	F	.....
Jamb width (min. 30mm)	J	J	.....
Cover overlap (min. 100mm)	M	M	.....
Leading edge width	-	P	.....
Sum of above	Sum = .....		

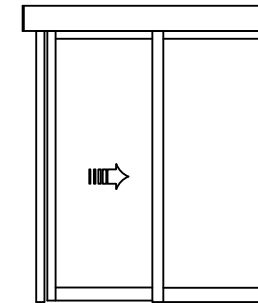
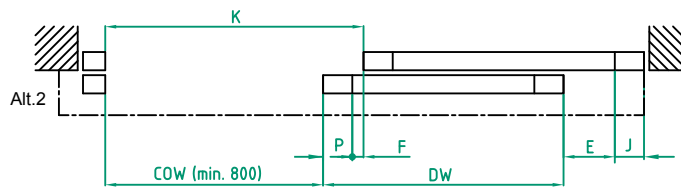
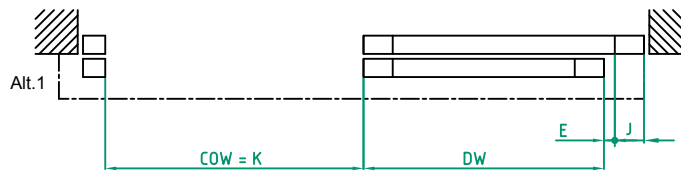
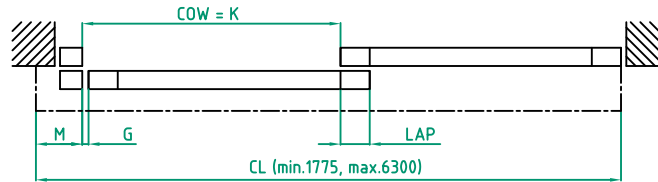
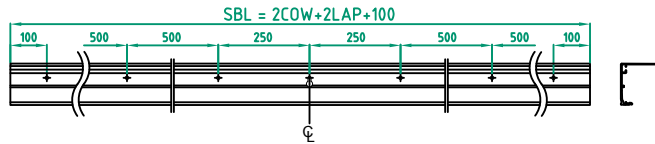
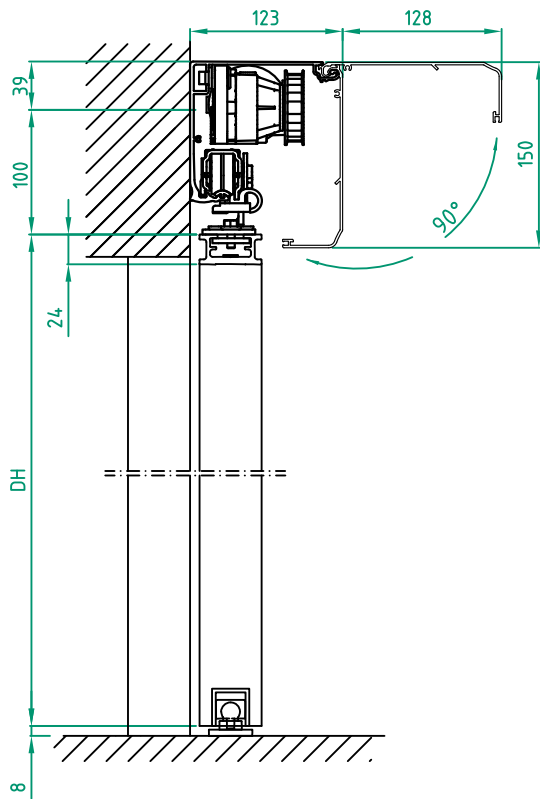
Alt. 1 COW = K	K = .....		
Alt. 2 COW + P + F = K	K = .....	K + LAP - G = DW	DW = .....
Cover length CL	(CL ..... - Sum ..... ) / 2 = .....	= COW max.	
Door travel COW	(COW ..... x2) + Sum .....	= ..... = CL min.	

Customer: \_\_\_\_\_  
 Door id: \_\_\_\_\_  
 Project No: \_\_\_\_\_

Ref: \_\_\_\_\_  
 Date: \_\_\_\_\_  
 Sign: \_\_\_\_\_

Sliding door operator  
 ASSA ABLOY SL500-L  
 Art. No. 1008568

**ASSA ABLOY**  
 5.0 1010709-EI



STATE WHEN ORDERING

COW = ..... mm  
 CL = ..... mm  
 SBL = ..... mm  
 LAP = ..... mm  
 G = ..... mm  
 DW = ..... mm  
 Door weight = ..... kg

Surface treatment

Silver anodized  
 Special anodized .....  
 RAL .....  
 Special powder coating .....

	Alt. 1	Alt. 2	
Overlap (min. 20mm)	LAP	LAP	.....
Finger protection (min. 25mm)	E	E	.....
Finger protection (min. 25mm)	-	F	.....
Jamb width (min. 30mm)	J	J	.....
Cover overlap (min. 100mm)	M	M	.....
Leading edge width	-	P	.....
Sum of above	Sum = .....		

Alt.1 COW = K	K = .....		
Alt.2 COW + P + F = K	K = .....	K + LAP - G = DW	DW = .....
Cover length CL	(CL ..... - Sum ..... ) / 2 = ..... = COW max.		
Door travel COW	(COW ..... x2) + Sum ..... = ..... = CL min.		

Customer:	Ref:
Door id:	Date:
Project No:	Sign:

Sliding door operator  
 ASSA ABLOY SL500-R  
 Art. No. 1008568

**ASSA ABLOY**  
 5.0 1010709-EI